

Victaulic® VicFlex™ Style AB13 Adjustable Elbow Bracket for Low Profile Applications



1.0 PRODUCT DESCRIPTION

Approved Hose Models:

- Series AH2, Series AH2-CC
- Series AH4

Maximum Working Pressure

- 200 psi/1400 kPa/14 bar

Maximum Working Temperature

- 225°F/107°C

Connections

- 1"/25mm NPT/BSPT

Maximum Number of Bends per Flexible Drop

- See Section 5.0 Performance

2.0 CERTIFICATION/LISTINGS



ALWAYS REFER TO ANY NOTIFICATIONS AT THE END OF THIS DOCUMENT REGARDING PRODUCT INSTALLATION, MAINTENANCE OR SUPPORT.



3.0 MATERIAL SPECIFICATIONS

Flexible Hose: 300-series Stainless Steel

Collar/Weld Fitting: 300-series Stainless Steel

Gasket Seal: Victaulic EPDM

Isolation Ring: Nylon

Coupling-Retainer Ring: Polyethelene

Nut and Nipple: Carbon Steel, Zinc-plated

Housing: Ductile Iron conforming to ASTM A536, Grade 65-45-12. Ductile Iron conforming to ASTM A-395, Grade 65-45-15, is available upon special request

Coupling Housing Coating: Orange enamel

Gasket: Grade "E" EPDM (Type A) Vic-Plus Pre-lubricated Gasket

Bolts/Nut: Carbon steel oval neck track bolts meeting the mechanical property requirements of ASTM A449 (imperial) and ISO 898-1 Class 9.8 (M10-M16) Class 8.8 (M20 and greater). Carbon steel hex nuts meeting the mechanical property requirements of ASTM A563 Grade B (imperial - heavy hex nuts) and ASTM A563M Class 9 (metric -hex nuts). Track bolts and hex nuts are zinc electroplated per ASTM B633 Fe/Zn 5, finish Type III (imperial) or Type II (metric)."

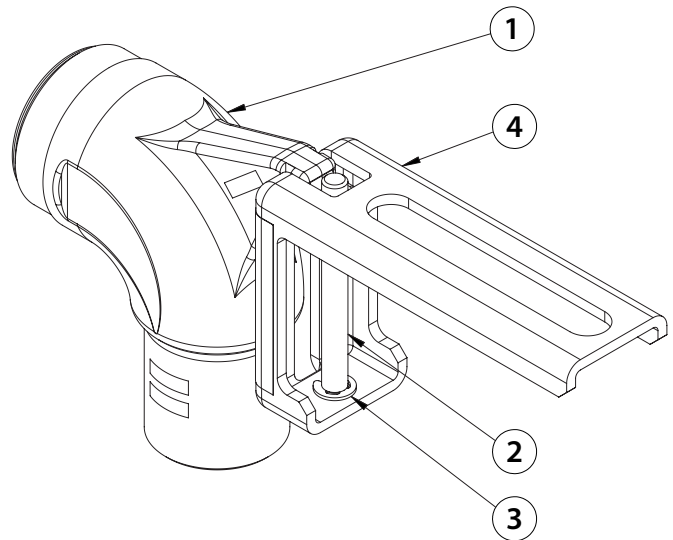
Linkage: High Strength Steel with comparable physical properties to that of the Track Bolt (ASTM A449). Linkage is zinc electroplated per ASTM B633 Fe/Zn 5, Type III Finish"

Elbow: Ductile iron, zinc plated

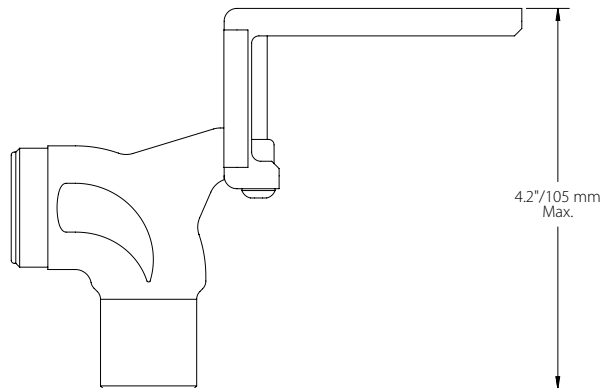
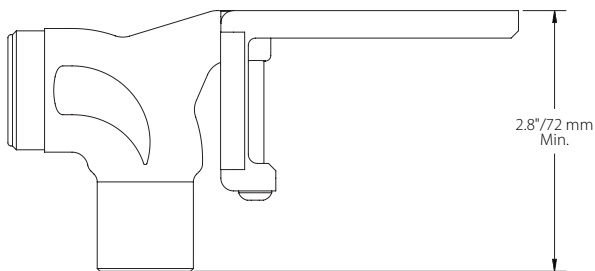
Bracket: Carbon Steel, Zinc-plated

Adjustment screw: Carbon steel, zinc plated

Retaining ring: Carbon steel, zinc plated.

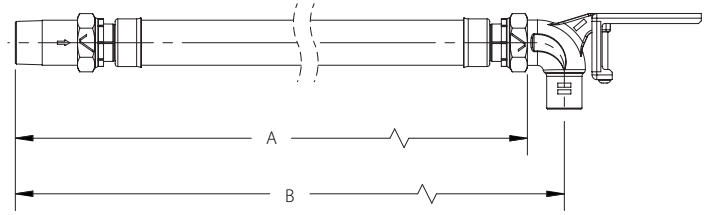


Item	Description
1	Elbow
2	Adjustment Screw
3	Retaining Ring
4	Bracket



4.0 DIMENSIONS

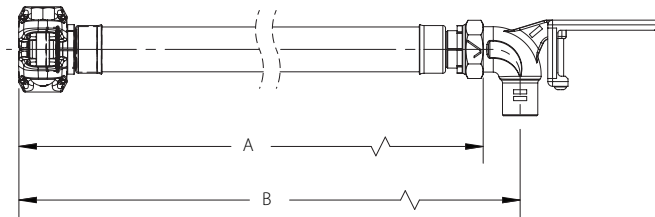
Series AH2 and AH4



Hose Length inches mm	Dimensions	
	A inches mm	B inches mm
31 790	25.8 655	26.9 682
36 915	30.8 782	31.9 809
48 1220	42.8 1086	43.9 1114
60 1525	54.8 1391	55.9 1419
72 1830	66.8 1696	68.9 1749

4.1 DIMENSIONS

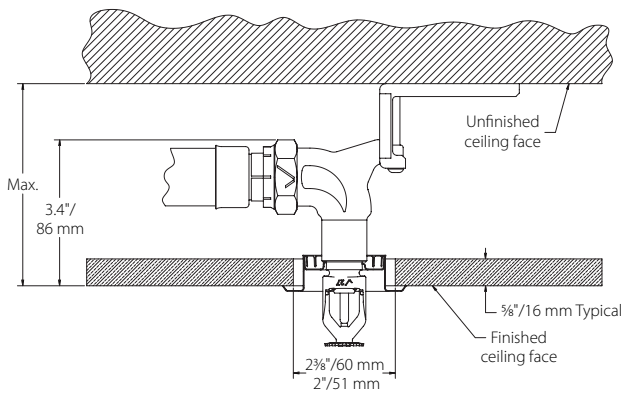
Series AH2-CC



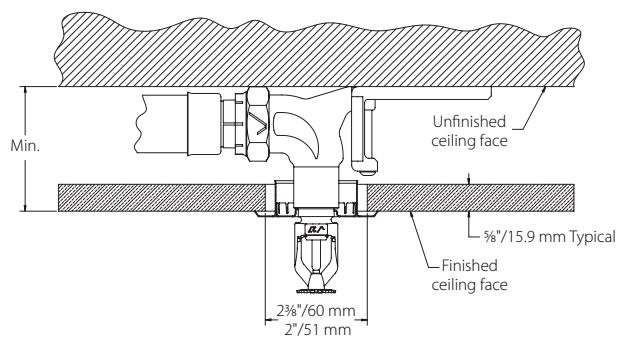
Hose Length inches mm	Dimensions	
	A inches mm	B inches mm
31 790	24.5 621	25.6 649
36 915	29.5 748	30.6 776
48 1220	41.5 1053	42.6 1081
60 1525	53.5 1357	54.6 1385
72 1830	65.5 1662	66.6 1690

4.2 DIMENSIONS

Hose Clearance Chart

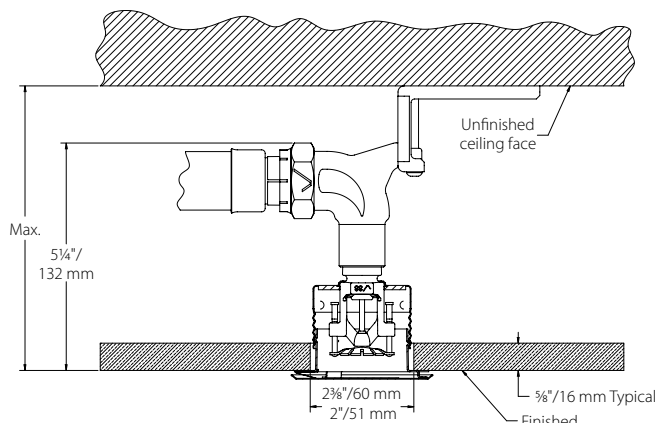


V2707 MAXIMUM EXTENSION

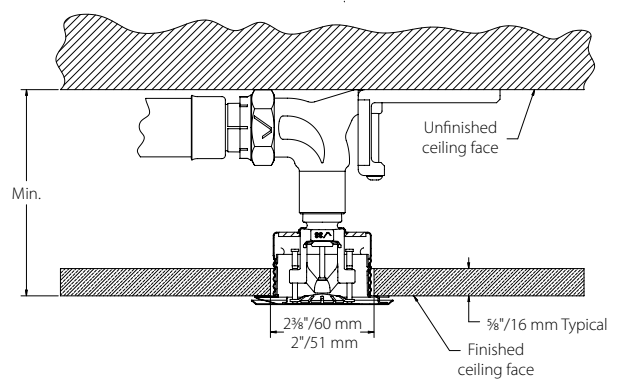


V2707 1/2" / 12.7 MM MINIMUM EXTENSION

Sprinkler Model	Minimum Installation Space		Maximum Installation Space	
	inches	mm	inches	mm
V27	3.0	74	4.8	120



V3802 MAXIMUM EXTENSION

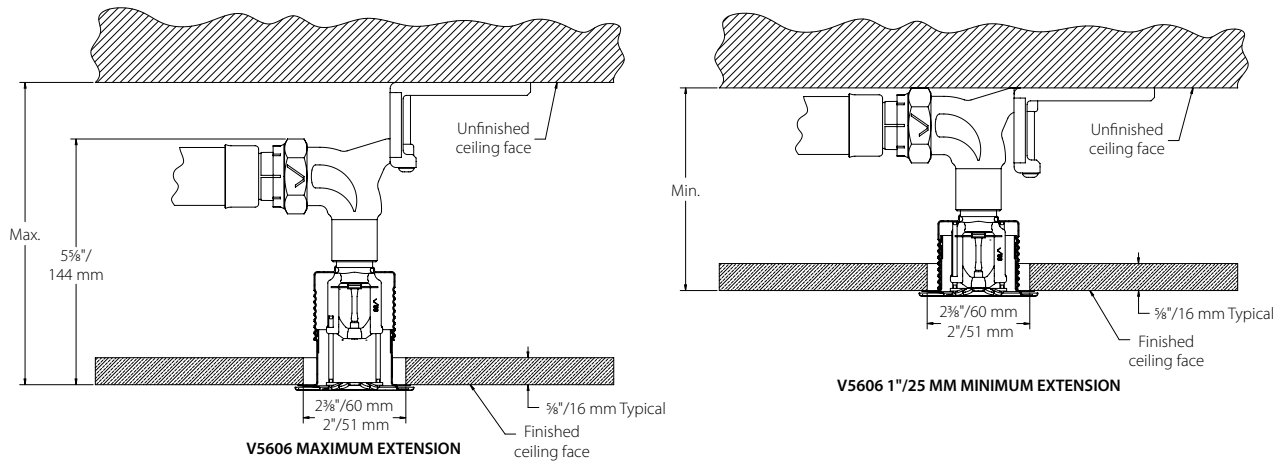


V3802 1/2" / 12.7 MM MINIMUM EXTENSION

Sprinkler Model	Minimum Installation Space		Maximum Installation Space	
	inches	mm	inches	mm
V38	4.8	120	6.6	166

4.2 DIMENSIONS (CONTINUED)

Hose Clearance Chart



Sprinkler Model	Minimum Installation Space		Maximum Installation Space	
	inches	mm	inches	mm
V56	4.8	120	7.0	178

5.0 PERFORMANCE

Friction Loss Data

Series AH2 and AH2-CC

Hose Length inches mm	Reducer Nominal Outlet Size inches DN	Sprinkler K-factor Imperial S.I.	FM	
			Equivalent Length of 1"33.7mm Sch. 40 pipe feet meters	Max Bends
31 790	½ DN15	5.6 8.1	27.5 8.4	2
36 915	½ DN15	5.6 8.1	30.6 9.3	2
48 1220	½ DN15	5.6 8.1	38.2 11.6	3
60 1525	½ DN15	5.6 8.1	45.8 14.0	4
72 1830	½ DN15	5.6 8.1	53.5 16.3	4

NOTE

- Minimum Bend Radius: 7"/178mm

5.1 PERFORMANCE

Friction Loss Data

Series AH4

Hose Length inches mm	Reducer Nominal Outlet Size inches DN	Sprinkler K-factor Imperial S.I.	FM	
			Equivalent Length of 1"33.7mm Sch. 40 pipe feet meters	Max Bends
31 790	½ DN15	5.6 8.1	27.4 8.4	2
36 915	½ DN15	5.6 8.1	30.4 9.3	2
48 1220	½ DN15	5.6 8.1	37.8 11.5	3
60 1525	½ DN15	5.6 8.1	45.2 13.8	4
72 1830	½ DN15	5.6 8.1	52.6 16.0	4

NOTE

- Minimum Bend Radius: 7"/178mm

6.0 NOTIFICATIONS

WARNING



- Read and understand all instructions before attempting to install any Victaulic products.
- Always verify that the piping system has been completely depressurized and drained immediately prior to installation, removal, adjustment, or maintenance of any Victaulic products.
- Wear safety glasses, hardhat, and foot protection.

- These products shall be used only in fire protection systems that are designed and installed in accordance with current, applicable National Fire Protection Association (NFPA 13, 13D, 13R, etc.) standards, or equivalent standards, and in accordance with applicable building and fire codes. These standards and codes contain important information regarding protection of systems from freezing temperatures, corrosion, mechanical damage, etc.
- The installer shall understand the use of this product and why it was specified for the particular application.
- The installer shall understand common industry safety standards and potential consequences of improper product installation.

WARNING

- It is the responsibility of the system designer to verify suitability of 300-series stainless steel flexible hose for use with the intended fluid media within the piping system and external environments.
- The effect of chemical composition, pH level, operating temperature, chloride level, oxygen level, and flow rate on 300-series stainless steel flexible hose must be evaluated by the material specifier to confirm system life will be acceptable for the intended service.
- It is the responsibility of the owner of a building or their authorized agent to provide the sprinkler system installer with any knowledge that the water supply might be contaminated with or conducive to the development of micro-biologically influenced corrosion (MIC), including as required by NFPA 13. Failure to identify adverse water quality issues may affect the VicFlex product and void the manufacturer's warranty.

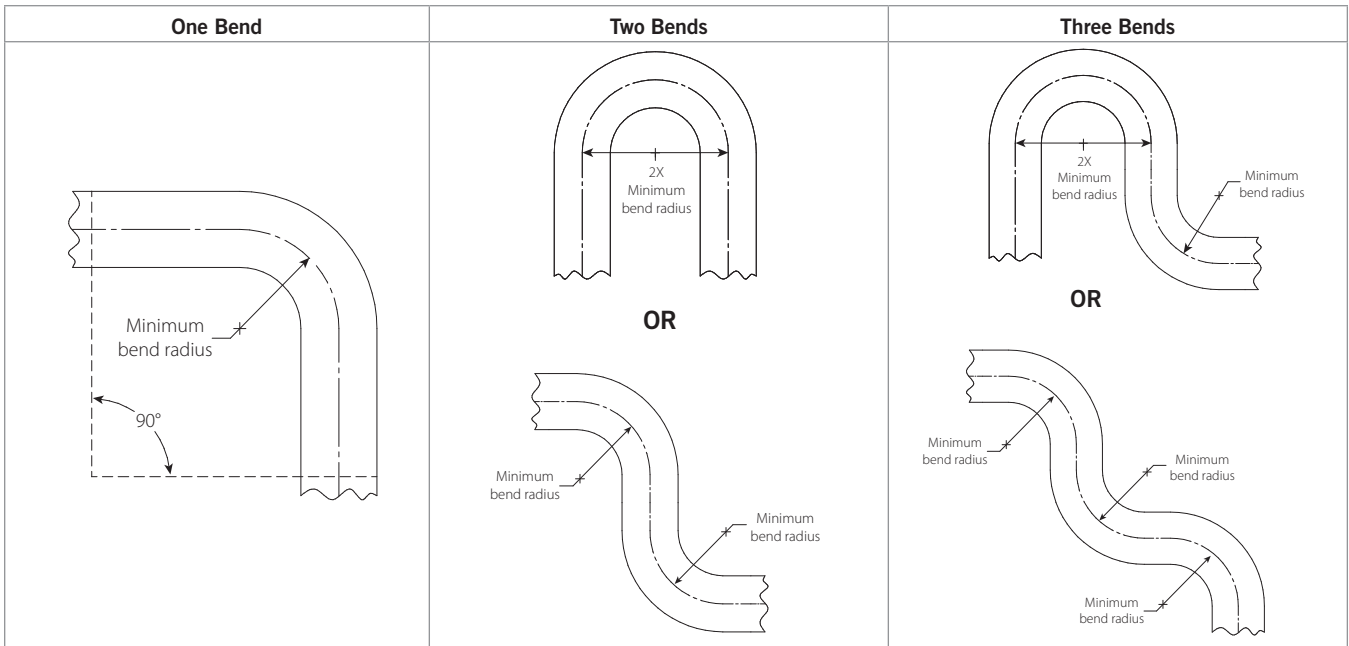
Failure to follow these instructions could cause product failure, resulting in serious personal injury and/or property damage.

Victaulic VicFlex Series AH2 and AH2-CC Flexible Sprinkler Fittings may be painted provided the paint is compatible with stainless steel and zinc-plated carbon steel or ductile iron. Care should be taken to ensure the sprinkler and associated escutcheon or coverplate are not painted.

Victaulic VicFlex Series AH2 and AH2-CC penetrating through non-fire rated gypsum wall (drywall) will function as designed, provided the components are installed in accordance with the respective installation instructions referenced in this document.

7.0 REFERENCE MATERIALS

Flexible Hose In-Plane Bend Characteristics



NOTE

For out-of-plane (three-dimensional) bends, care must be taken to avoid imparting torque on the hose.

[10.82: VicFlex™ Sprinkler Fittings Series AH4 Braided Flexible Hose](#)

[10.85: VicFlex™ Sprinkler Fittings Series AH2 and AH2-CC Braided Flexible Hoses](#)

[I-VICFLEX-AB13: VicFlex™ Flexible Hose with Fittings for Fire Protection Service](#)

User Responsibility for Product Selection and Suitability

Each user bears final responsibility for making a determination as to the suitability of Victaulic products for a particular end-use application, in accordance with industry standards and project specifications, and the applicable building codes and related regulations as well as Victaulic performance, maintenance, safety, and warning instructions. Nothing in this or any other document, nor any verbal recommendation, advice, or opinion from any Victaulic employee, shall be deemed to alter, vary, supersede, or waive any provision of Victaulic Company's standard conditions of sale, installation guide, or this disclaimer.

Intellectual Property Rights

No statement contained herein concerning a possible or suggested use of any material, product, service, or design is intended, or should be construed, to grant any license under any patent or other intellectual property right of Victaulic or any of its subsidiaries or affiliates covering such use or design, or as a recommendation for the use of such material, product, service, or design in the infringement of any patent or other intellectual property right. The terms "Patented" or "Patent Pending" refer to design or utility patents or patent applications for articles and/or methods of use in the United States and/or other countries.

Note

This product shall be manufactured by Victaulic or to Victaulic specifications. All products to be installed in accordance with current Victaulic installation/assembly instructions. Victaulic reserves the right to change product specifications, designs and standard equipment without notice and without incurring obligations.

Installation

Reference should always be made to the Victaulic installation handbook or installation instructions of the product you are installing. Handbooks are included with each shipment of Victaulic products, providing complete installation and assembly data, and are available in PDF format on our website at www.victaulic.com.

Warranty

Refer to the Warranty section of the current Price List or contact Victaulic for details.

Trademarks

Victaulic and all other Victaulic marks are the trademarks or registered trademarks of Victaulic Company, and/or its affiliated entities, in the U.S. and/or other countries.